

FIFTH FLOOR PLAN

- © This drawing is copyright.
 1 Do not scale this drawing.
 2 Errors and omissions to be immediately notified to Architect.
 3 All dimensions to be checked on site.
 4 To be read with relevant Engineers drawings.

Note:

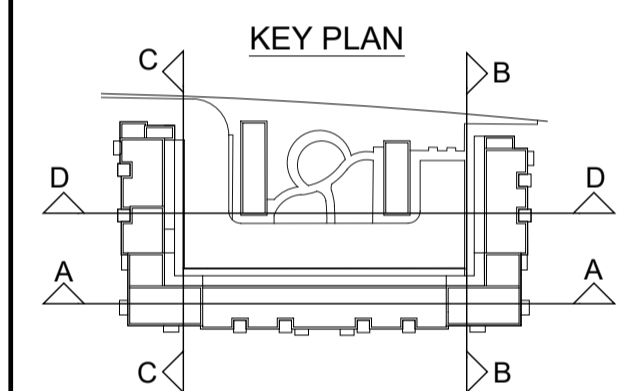
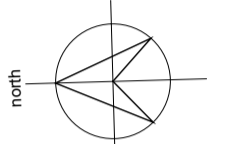
Furniture and fittings shown are indicative.

Wardrobes in bedrooms are not counted as part of designated storage areas.

Notes:

All dimensions in millimetres

Refer to RMDA landscape drawings for landscape design



revisions description date inls

1640 P 113	1:200 @A1	JUL '19	CQ	RB
Block 11 Fifth Floor Plan				
Block 11, Clongriffin, Dublin 13				

client
Gerard Gannon Properties

issue
Clongriffin SHD 1
Planning

CONROY CROWE KELLY
 ARCHITECTS & URBAN DESIGNERS
 65 MERRION SQUARE
 DUBLIN 2
 phone 01 6613990 fax 01 6765715
 email info@ckk.ie